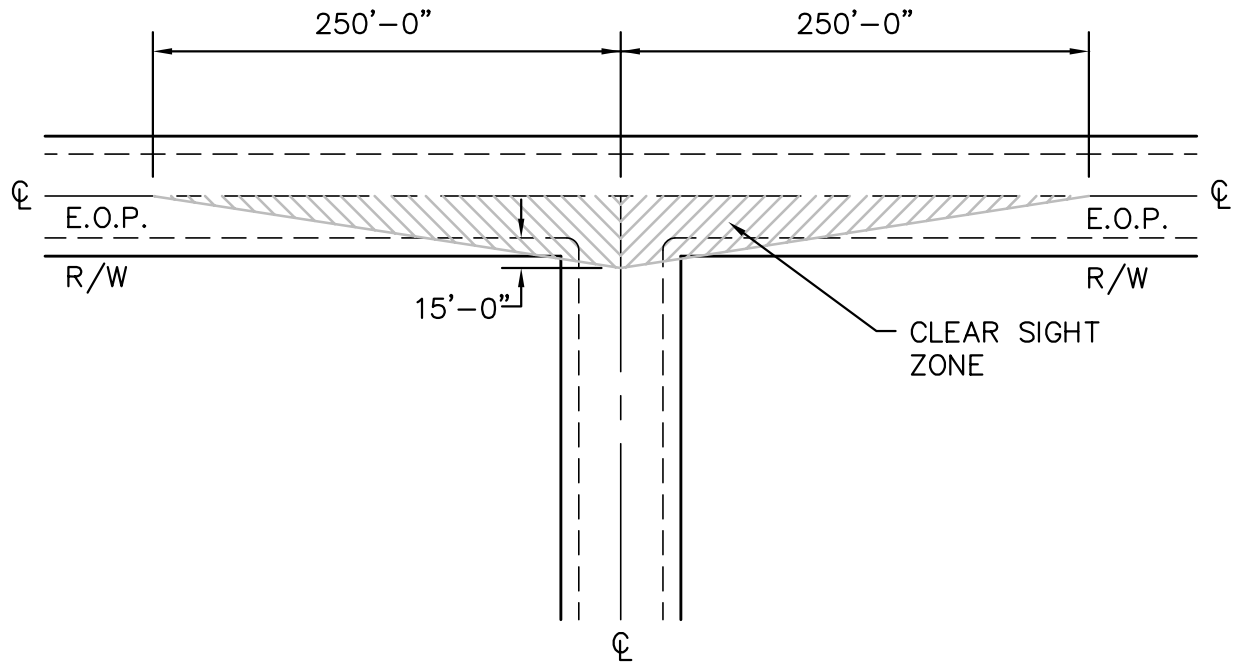


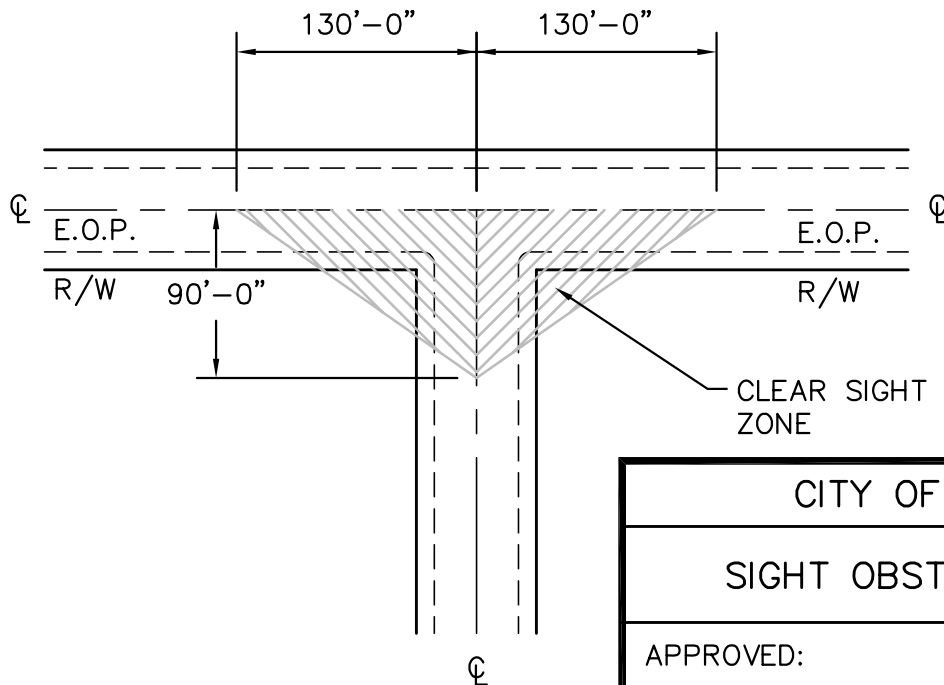
# STOP OR YIELD CONTROLLED INTERSECTIONS

EXAMPLE: MAJOR STREET SPEED LIMIT = 25 M.P.H.



# UNCONTROLLED INTERSECTIONS

EXAMPLE: MAJOR STREET SPEED LIMIT = 30 M.P.H.  
MINOR STREET SPEED LIMIT = 20 M.P.H.



CITY OF CASTLE ROCK			
SIGHT OBSTRUCTION DETAIL			
APPROVED:			DWG. NO.
_____			CRO11ST
BY CITY		DATE	
DATE:	DRWN:	CHKD:	SCALE:
2/06	J.H.	T.J.O.	NONE