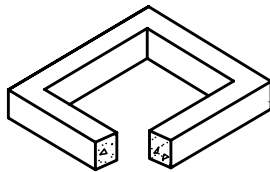
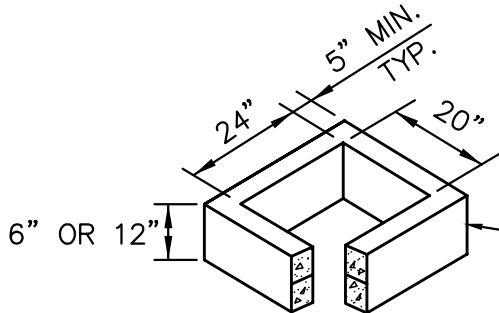


FRAME AND OPEN GRATE, VANED GRATE, OR SOLID COVER.



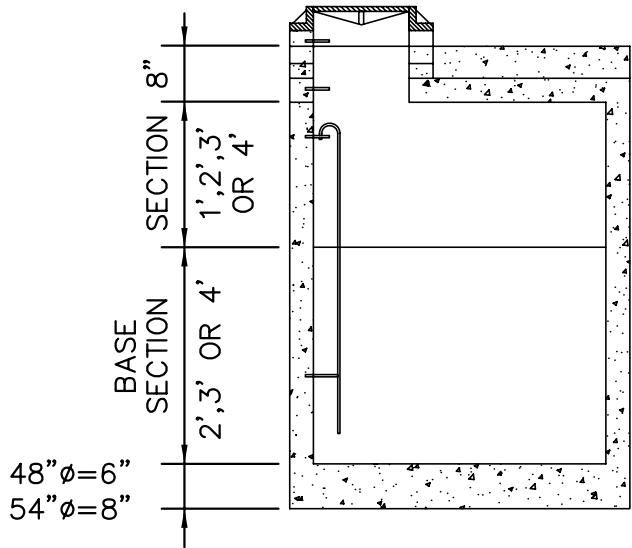
2"x4"x8" SOLID BRICK USED FOR FINAL ADJUSTMENT TO GRADE 6" HIGH MAX.



TOP SLAB WITH 24" ROUND ACCESS OR 20"x24" RECTANGULAR ACCESS, USE SEWER STANDARD. DETAIL 640 FOR STEPS AND LADDER.

NOTES:

1. ALL TYPE 2 CB'S EQUIPPED WITH OPEN GRATES SHALL BE LOCKING TYPE.
2. ALL TYPE 2 CB'S NOT IN PAVED AREAS SHALL BE EQUIPPED WITH LOCKING LIDS.
3. CB'S SHALL BE SET SO THAT STEPS ARE DIRECTLY UNDER OPENING.
4. ALL TYPE II CB'S SHALL BE EQUIPPED WITH STEPS AND LADDER.
5. CONCRETE SHALL BE CLASS 4000.
6. MINIMUM DISTANCE FROM INVERT TO CB BOTTOM SHALL BE 2.0'.
7. CB SECTIONS AND LID WILL BE HS20 TRAFFIC LOAD CERTIFIED BY MFG.
8. HOLE SIZE - PIPE O.D. + 5" MAX
 MAX HOLE SIZE - 36" (28" CB)
 MAX HOLE SIZE - 42" (54" CB)



CATCH BASIN TYPE 2

CITY OF CASTLE ROCK			
CATCH BASIN TYPE 2			
APPROVED:			DWG. NO.
BY CITY			CR004SW
DATE:		DRWN:	CHKD:
2/06	M.C.	T.J.O.	SCALE:
			NONE