

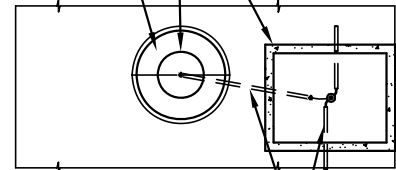
LUMINAIRE

NTS

CONTRACTOR SHALL FURNISH AND INSTALL POLE FOR DIRECT BURIAL

LAMP POST – SEE SPECIFICATIONS

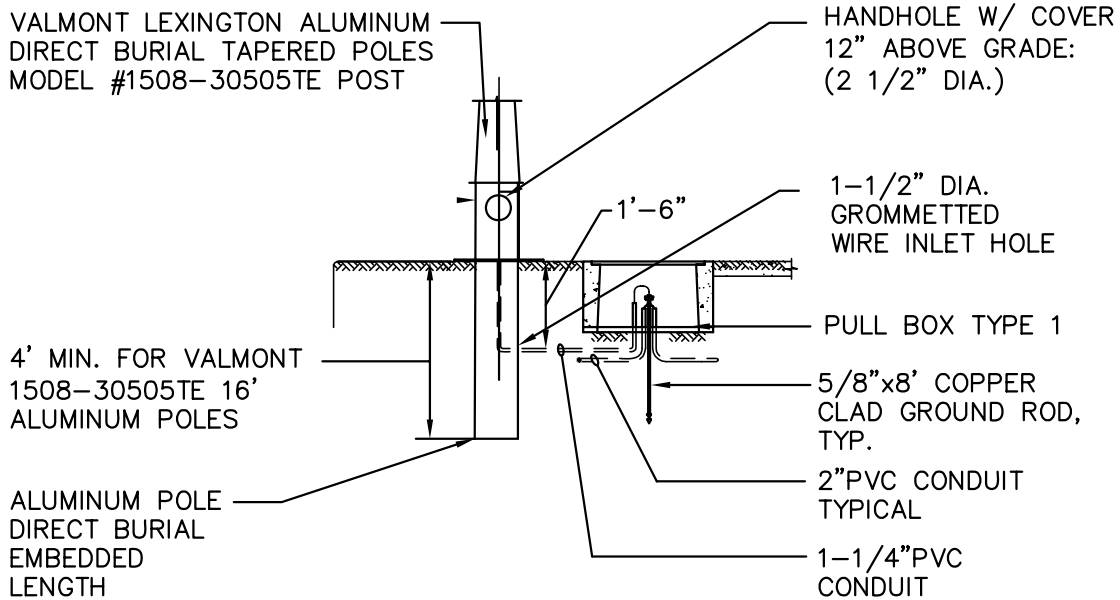
CONTRACTOR SHALL FURNISH & INSTALL NEW PULL BOX



CONTRACTOR SHALL PROVIDE TRENCHING, BACKFILL AND FURNISH AND INSTALL NEW CONDUIT AND CONDUCTORS

PLAN

NTS



POST DETAIL

NTS

CITY OF CASTLE ROCK

ILLUMINATION DETAIL

APPROVED:

DWG. NO.

BY CITY

DATE

CRO23ST

DATE:
10/06

DRWN:
C.D.G.

CHKD:
M.B.J.

SCALE:
NONE