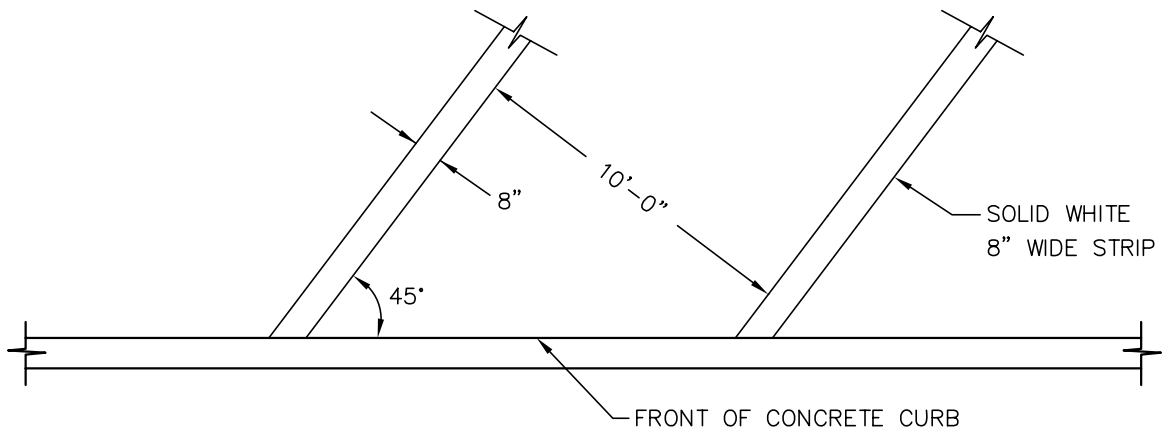


PARALLEL PARKING SPACE MARKING



ANGLE PARKING SPACE MARKING

CITY OF CASTLE ROCK			
PARKING SPACE MARKINGS			
APPROVED:			DWG. NO.
_____			CRO20ST
BY CITY		DATE	
DATE:	DRWN:	CHKD:	SCALE:
2/06	J.H.	T.J.O.	NONE