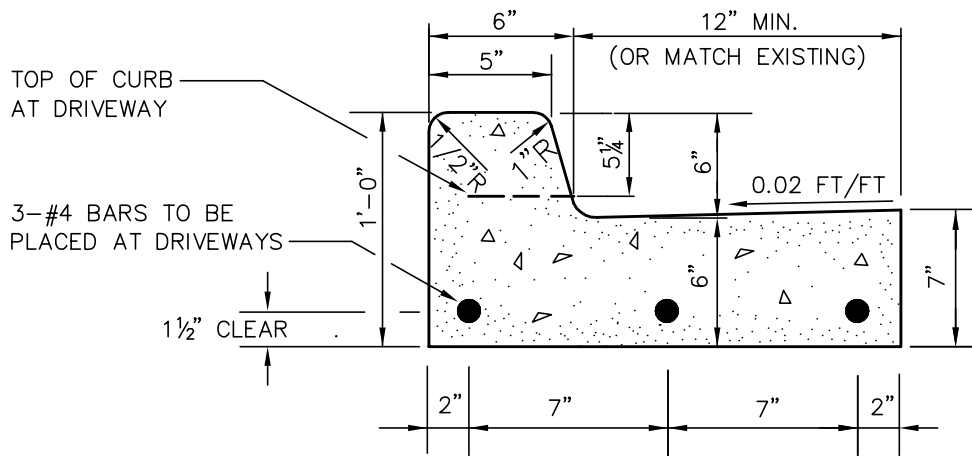


ROLLED CONCRETE CURB AND GUTTER

NOTES:

1. THE CURBS, GUTTERS AND SIDEWALKS SHALL HAVE CONTRACTION JOINTS (3/8" x 1 1/2") AT INTERVALS OF NOT GREATER THAN 15'-0"
2. CEMENT CONCRETE SHALL BE CLASS 3000 PSI



VERTICAL CONCRETE CURB AND GUTTER

CITY OF CASTLE ROCK			
CONCRETE CURB AND GUTTER			
APPROVED: _____			DWG. NO. CRO17ST
BY CITY		DATE	
DATE: 2/06	DRWN: J.H.	CHKD: T.J.O.	SCALE: NONE