

CURB AND GUTTER, SEE STANDARD CURB AND GUTTER DETAIL FOR ADDITIONAL INFORMATION

CAST IRON FRAME, SEE STANDARD FRAME AND GRATE DETAIL

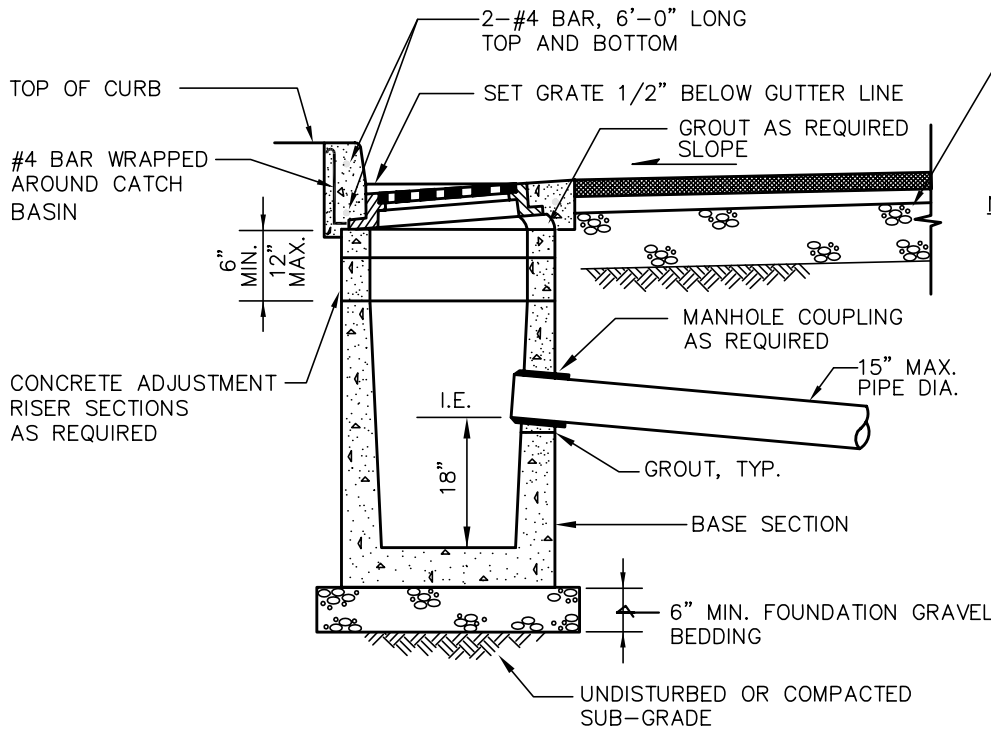
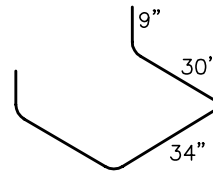
2- #4 x 6' TOP AND BOTTOM, PLACE TOP BAR 3" FROM TOP OF THE CURB, PLACE BOTTOM BAR 3" FROM BOTTOM OF THE CURB

DUCTILE IRON GRATE, SEE STANDARD FRAME AND GRATE DETAIL

#4 BAR WRAPPED AROUND CATCH BASIN FRAME

THRU JOINT, TYP. EACH SIDE

**PLAN**



**NOTES:**

1. CATCH BASINS SHALL BE SPACED PER MINIMUM CITY DESIGN STANDARDS
2. TYPE I CATCH BASIN IS USED FOR DEPTHS LESS THAN 5'-0" FROM THE TOP OF THE GRATE TO I.E. (INVERT)

**ELEVATION**

**CATCH BASIN TYPE I**

<b>CITY OF CASTLE ROCK</b>			
<b>CATCH BASIN TYPE I</b>			
APPROVED:		DWG. NO.	
_____		CR003SW	
BY CITY		DATE	
DATE:	DRWN:	CHKD:	SCALE:
2/06	J.H.	T.J.O.	NONE